



72 x 72mm



96 x 96mm

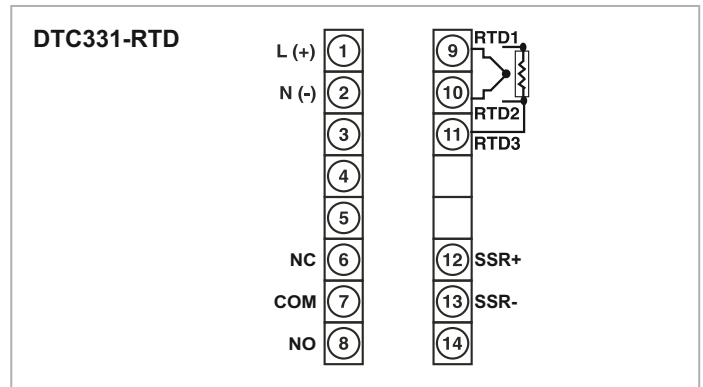
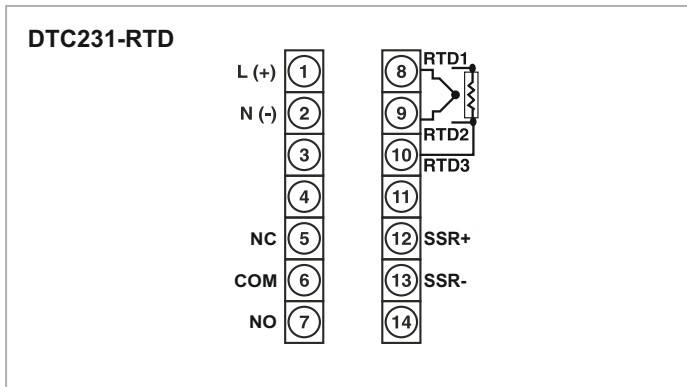
### Features :

- ▶ 3 Digits, 7 Segment LED single display
- ▶ RTD PT100 Input
- ▶ ON - OFF Control
- ▶ Single set point
- ▶ °C/°F Selectable
- ▶ Control output: Relay
- ▶ Short depth

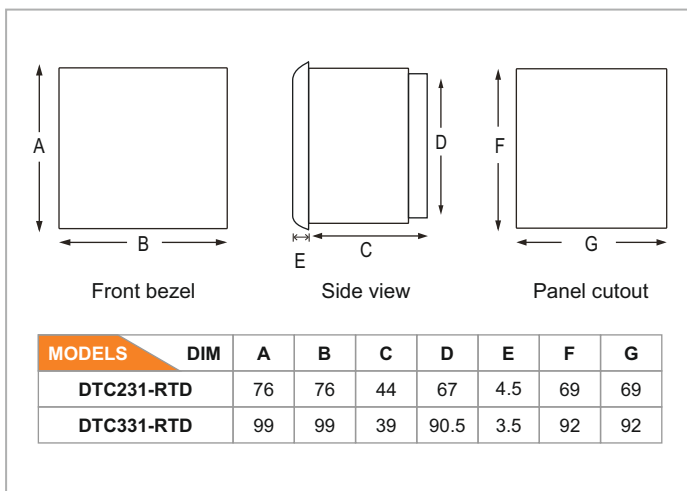
## Technical specifications

Display specifications	
Display	3 Digits, 7 Segment LED single display
Height of display	13.5 mm
LED Indication	R: Control output ON
Input specifications	
Inputs	RTD : PT100
Resolution	Fixed 1°
Indication accuracy	0.25% of F.S ±1 (20 min of warm up time)
Temperature unit	°C/°F Selectable
Input filter (FTC)	0.2 to 10.0 sec
Sampling time	250 ms
Output specifications	
Relay contact (SPDT)	Main output: NO :10A 250 VAC/ 24 VDC NO/ NC: 5A/ 5A 250 VAC/ 24 VDC
SSR Drive (Voltage pulse)	12 VDC, 30 mA
Functional specifications	
Control action	ON-OFF Control
Hysteresis width	0.1 to 99.9°
Display bias	- 19.9 to 19.9°
Auxiliary supply specifications	
Supply voltage	90 to 270 VAC/ DC (AC: 50/ 60Hz)
Power consumption	4 VA Max
Environment specifications	
Temperature	Operating: 0°C to 50°C (32 to 122°F); Storage: - 20°C to 75°C (- 4 to 167°F)
Humidity (Non - condensing)	95% RH
Mechanical specifications	
Mounting	Panel
Weight	180 gms

## Terminal connections



## Dimensions (All are in mm)



## Ordering information

Product code	Output 1	Supply voltage	certification
DTC231-RTD	RELAY (10A)	90 to 270V AC / DC	---
DTC331-RTD	RELAY (10A)	90 to 270V AC / DC	---