



DIN 22.5mm

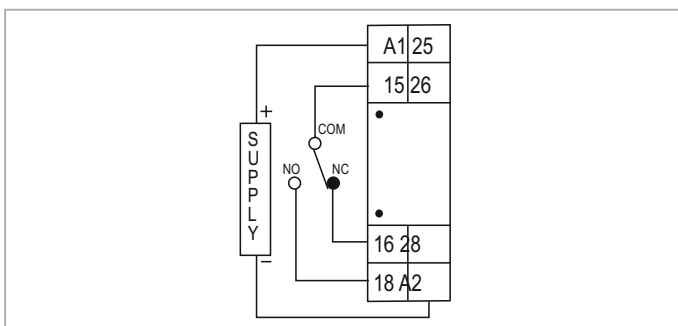
### Features :

- ▶ Lowest cost, Single function
- ▶ LED Indications : Power ON, Relay ON
- ▶ Finger safe terminals

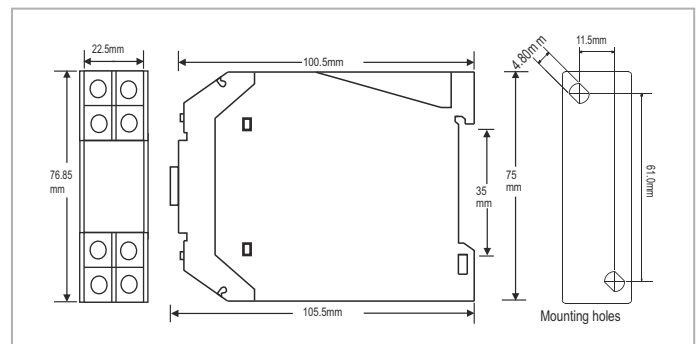
## Technical specifications

Display specifications	
LED indications	Power ON, Relay ON
Input specifications	
Accuracy setting	± 5% of full scale
Repeat	± 0.5% or 50msec
Output specifications	
Relay contact	1 C/O SPDT
Contact rating	5A @ 250V AC / 24V DC, Resistive
Functional specification	
Modes	ON delay
Time ranges	60sec
Resolution	0.1sec
Reset	On power interruption, Reset time <100 msec
Auxiliary supply specifications	
Supply voltage	230V AC, 415V AC (50 / 60 Hz)
Power consumption	3VA max
Environmental specification	
Temperature operating	0 to 50°C
Storage	-5 to 50°C
Humidity (non - condensing)	95% RH
Mechanical specifications	
Mounting	DIN Rail mount
Weight	100gms

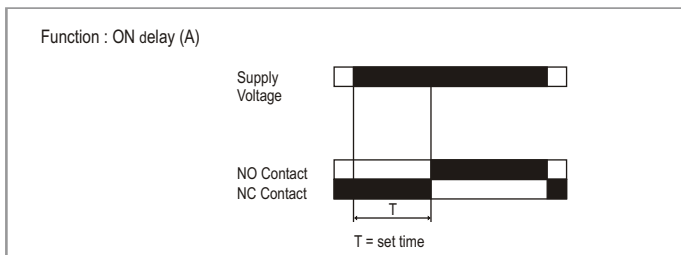
## Terminal connections



## Dimensions (All are in mm)



## Timing Diagram



## Ordering information

Product Code	Supply Voltage	Certification
800S-1-ON-60S-230	230V AC	—
800S-1-ON-60S-415	415V AC	—