



## Features :

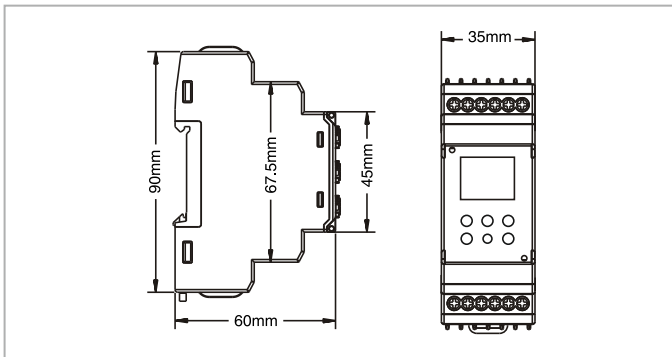
- ▶ 6 Digits for time display, 2 Digits for step no.
- ▶ 50 ON - OFF Steps per day
- ▶ Indications
  - Auto Manual
  - Holiday
  - Relay status
  - Day of week
  - Programming mode
- ▶ 10 Years power reserve (Lithium battery)

Certifications : CE

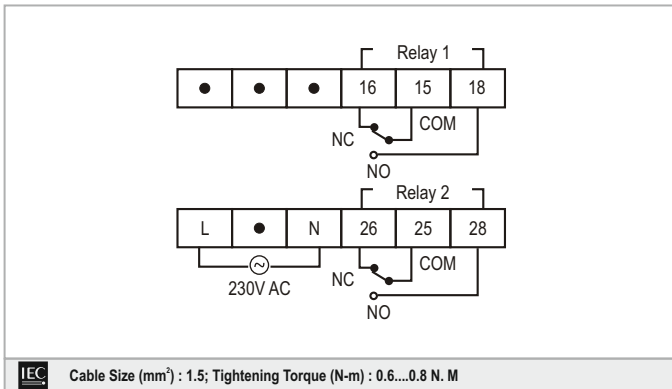
## Technical specifications

Display specifications	
Display	Text LCD (Without backlight) 6 Digits for time display, 2 Digits for step no.
Character Height	5.07mm (HH : MM) and 3.39mm (SS)
Indications (Through symbol)	Auto manual, Holiday, Relay status, Day of week, Programming mode
Output specifications	
No. of output	2
Relay contact	1 C/O SPDT
Contact rating	16A @ 250V AC
Functional specifications	
Operation period	1 week
Program	Total 50 ON steps and 50 OFF steps
Minimum setting unit	1 second
Holiday settings	16 dates
Clock	12 - hr (AM / PM) and 24 - hr selection
Relay operating mode	Auto / Permanent override ON / Permanent override OFF
RTC accuracy	15 mins a year@25°C
Auxiliary supply specifications	
Supply voltage	230V AC ±10% (50 / 60 Hz)
Power consumption	Approx. 9 Watts at 252 VAC
Environmental specifications	
Temperature	Operating : 0 to 50° C Storage : -20 to 70°C
Humidity (non - condensing)	Upto 95% RH
Mechanical specifications	
Mounting	DIN Rail mount
Weight	105gms

## Terminal connections



## Timing diagram



## Compliance

Applicable EMI / EMC Standards		
Product standard : IEC 60947-2		
Category	Reference standards	Testing level
Electrostatic discharge	IEC 61000-4-2	Level-3
Electrical fast transient / Brust	IEC 61000-4-4	Level-3
Electromagnetic field	IEC 61000-4-3	Level-3
Surge	IEC 61000-4-5	Level-3
Conducted RF	IEC 61000-4-6	Level-2
Rated power frequency	IEC 61000-4-8	Level-4
Voltage dip / Short interruptions	IEC 61000-4-11	Level-3
Conducted emissions	CISPR-11	Class-B
Radiated emission	CISPR-22	Class-A
Emission & Immunity	IEC 61326-1	
Safety	IEC 61010-1	

## Ordering information

Product code	Supply voltage	Certification
TS2M1-2-16A-230V-CE	230V AC	CE