



Features :

- ▶ 4.3", 7" & 10" Touch screen
- ▶ Ethernet / Serial communication
- ▶ User / Recipe management
- ▶ Address mapping
- ▶ Update program by USB flash
- ▶ Multiple communication protocols
- ▶ In-Built symbol library
- ▶ Alarms, Calender, Real time clock

Certification : CE

Technical specifications

| Display specifications | SP112-GT40 | SP112-GT70 | SP112-GT100 |
|----------------------------------|---|---|-------------------------------------|
| Type | 4.3" TFT Touch screen (65536 colors) | 7" TFT Touch screen (65536 colors) | 10" TFT Touch screen (65536 colors) |
| Resolution | 480×272 Pixels | 800 x 480 Pixels | 1024 x 600 Pixels |
| Display size | 4.3" Diagonal | 7" Diagonal | 10" Diagonal |
| Backlight | LED | | |
| Brightness | 300cd/m2 | | |
| Span life | 30000 hrs | | |
| LCD Type | 4 Wire high precision resistance network | | |
| Functional specifications | | | |
| Programming method | Windows based software for HMI configuration. | | |
| Processor | 1GHz Quad code | A8 600MHz | |
| OS | Linux 4.9.11 QT based | | Linux 4.4.0 QT based |
| Memory | 256M Flash+128M DRAM | | |
| USB Host | USB2.0 x 1, Support USB flash disk to update firmware, Configure and store data | | |
| USB Slave | Type C, Support power supply & program download / upload | Type B, Program download / upload only | |
| Serial interface | COM1: RS485 / 422 COM2: RS232 | COM1:RS485 / 422 COM2: RS232 COM3: RS485 | COM1: RS485 COM2: RS232 |
| Ethernet | RJ45 10M / 100M self-adaption. communicates with PLC & PC, Multiple HMI online. default IP is 192.168.1.100 (Optional for ET & Et1 models only) | | |
| DB9 | Male (COM1 and COM2) | | |
| Mechanical specifications | | | |
| Dimensions (W x H x D)mm | 138×102×32 mm | 200 x 146 x 32 mm | 273 x 193 x 32 mm |
| Panel cutout (W x H)mm | 129 × 93mm | 192 x 138 mm | 261 x 180 mm |
| Mounting | Panel mounting | | |
| Weight | 400 gms | 750 gms | 1 Kg |
| Ingress protection | IP65 | | |
| Cover material | ABS+PC plastics | | |
| Electrical specifications | | | |
| Power supply voltage | 24V DC (20.4~28.8V DC), 0.3A | | |
| Rated power | 3W | 7W | |
| Permissible power loss | 10 mSec | | |
| Insulation resistance | Over 50 mΩ @ 500V DC | | |
| Withstand voltage performance | 500V AC 1 min | | |

| Environmental specifications | | |
|---------------------------------|---|-----------------------|
| Temperature | Storage : -20 ~ 60° C | Storage : -20 ~ 70° C |
| Humidity | 10 ~ 90% RH (Non-condensing) | |
| Seismic performance | 10 ~ 25Hz (2G / 30min in x, y, z directions) | |
| Certification | | |
| Protection level of front panel | Comply with IP65 certification (4208-93) | |
| CE Certificate | According to CE Certification (EN61000-6-2:2005 / EN61000-6-4:2007) | |

Dimensions & External ports (All dimensions are in mm)

| | |
|--|---|
| <p>Panel cutout</p> <p style="text-align: center;">4.3" HMI</p> <p style="text-align: center;">Panel Cutout</p> <p style="text-align: center;">SP112-GT40-S1-CE , SP112-GT40-ET1-CE</p> | <p style="text-align: right;">4.3" HMI</p> <p>USB slave type C Support power supply, program download</p> <p>DC24V Power supply</p> <p>USB Host USB2.0x1, Support USB flash disk to update firmware, configure and store data</p> <p>DB 9 Series port, male COM1:RS485/RS422 COM2:RS232</p> <p>Ethernet port Download/Upload, PLC Communication & connect Router and switcher</p> <p style="text-align: center;">SP112-GT40-S1-CE , SP112-GT40-ET1-CE</p> |
|--|---|

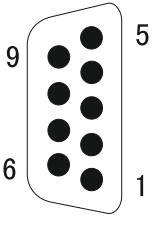
| | |
|--|---|
| <p>Panel cutout</p> <p style="text-align: center;">7" HMI</p> <p style="text-align: center;">Panel Cutout</p> <p style="text-align: center;">SP112-GT70-S1-CE , SP112-GT70-ET1-CE</p> | <p>Panel cutout</p> <p style="text-align: center;">10" HMI</p> <p style="text-align: center;">Panel Cutout</p> <p style="text-align: center;">SP112-GT100-ET1-CE</p> |
|--|---|

| | |
|--|---|
| <p>7" HMI</p> <p>COM: Male Communication Terminal Power Supply Terminal</p> | <p style="text-align: right;">10" HMI</p> <p>USB Slave USB Host Ethernet</p> |
|--|---|

SP112-GT70-S1-CE , SP112-GT70-ET1-CE
SP112-GT100-ET1-CE

Configuration

DB9 Pin

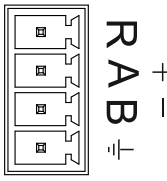


| Interface | PIN | PIN Definition |
|-----------|-----|----------------|
| COM2 | 1 | — |
| | 2 | RS232 RXD |
| | 3 | RS232 TXD |
| | 4 | — |
| | 5 | GND |
| COM1 | 6 | — |
| | 7 | RS485+(A) |
| | 8 | RS485-(B) |
| | 9 | — |

Caution:
In RS485 communication, out of serial port & communication terminal, only one can be chosen. Two of them can't be used at the same time.

Terminal

Communication Terminal is a 4 pin removable terminal, which supports RS485 communication. A built-in 120 ohm resistance is used for longer distance communication (more than 300-meters), user can manually short Pin 1 & Pin 2 to suppress communication interference.



| Port | PIN | Pin Definition | Remarks |
|------|-----|----------------|--------------------------|
| COM3 | 1 | R | 120Ω Terminal resistance |
| | 2 | RS485 + | (A) |
| | 3 | RS485 - | (B) |
| | 4 | PE | Shield ground |

Ordering information

| Product Code | Description |
|--------------------|--|
| SP112-GT40-S1-CE | 4.3" Touch screen HMI with serial ports |
| SP112-GT40-ET1-CE | 4.3" Touch screen HMI with ethernet & serial ports |
| SP112-GT70-S1-CE | 7" Touch screen HMI with serial ports |
| SP112-GT70-ET1-CE | 7" Touch screen HMI with ethernet & serial ports |
| SP112-GT100-ET1-CE | 10" Touch screen HMI with ethernet & serial ports |

Accessories

- AC-USB-USB-02-1M (USB Type C - Downloading cable)
- AC-USB-USB-01-1M (USB Type B - Downloading cable)