





48 x 48mm

### Features :

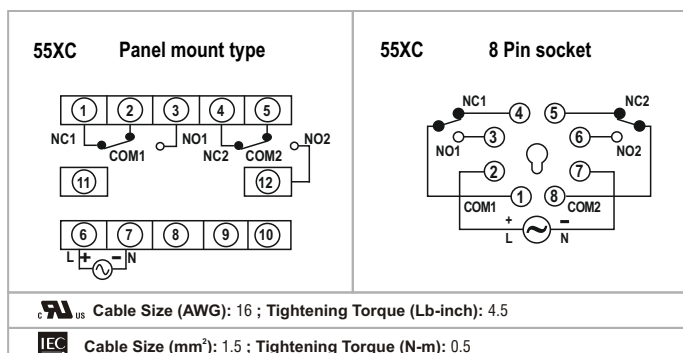
- ▶ Cyclic timer with unequal ON & OFF time
- ▶ 6 time ranges
- ▶ Universal supply voltage
- ▶ LED indications: Power ON, Relay ON

Certifications :  

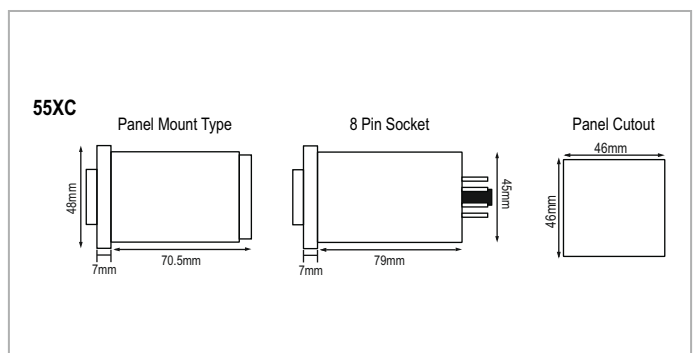
## Technical specifications

Display specifications	
LED indications	Power ON, Relay ON
Input specifications	
Accuracy setting	±5% of F.S.
Repeat	±0.5% or 50msec (F.S. = Full scale)
Output specifications	
Relay contact	2 C/O SPDT
Contact rating	5A @250V AC or 24V DC resistive
Functional specification	
Modes	Asymmetric cyclic ON first or OFF first
Time ranges	0-1 sec/min/hr (ON time), 0-10 sec/min/hr (ON time) 0-1 sec/min/hr (OFF time), 0-10 sec/min/hr (OFF time)
Resolution	0.1 sec
Reset	ON power interruption, Reset time <100msec
Auxiliary supply specifications	
Supply voltage	20 to 240V AC (50/60 Hz), 12 to 240V DC
Power consumption	3VA max
Environmental specification	
Temperature operating	0 to 50 °C (32 to 122 °F)
Storage	-20 to 75 °C (-4 to 167 °F)
Humidity (non-condensing)	95% RH
Mechanical specifications	
Mounting	Plug / Panel mount
Weight	80 gms

## Terminal connections



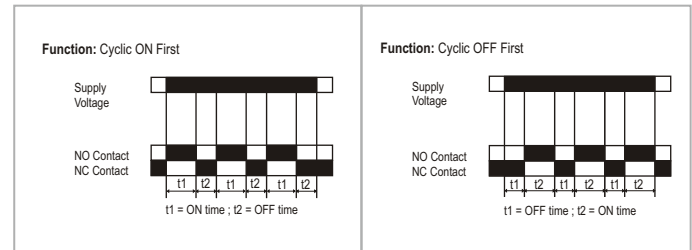
## Dimensions (all are in mm)



## Standards compliance

Applicable EMI / EMC standards		
Product standard		
Category	Reference standards	Testing level
Electrostatic discharge	IEC 61000-4-2	Level-3
Electrical fast transient / Brust	IEC 61000-4-4	Level-3
Electromagnetic field	IEC 61000-4-3	Level-3
Surge	IEC 61000-4-5	Level-3
Conducted RF	IEC 61000-4-6	Level-2
Rated power frequency	IEC 61000-4-8	Level-4
Voltage dip / Short interruptions	IEC 61000-4-11	Level-3
Conducted emissions	CISPR-11	Class-B
Rated emissions	CISPR-22	Class-A
Emission & Immunity	IEC 61326-1	
Safety	IEC 61010-1	
PFMF (passing criteria)	IEC 61000-4-8	Class-A

## Timing diagram



## Ordering information

Product code	Supply voltage	Certification
55XC-P8	20 to 240V AC 12 to 240V DC	—
55XC-P8-CU	20 to 240V AC 12 to 240V DC	—
55XC-T8	20 to 240V AC 12 to 240V DC	—
55XC-T8-CU	20 to 240V AC 12 to 240V DC	—