



## FEATURES

- Simple Interactive HMI for MIBRX series PLCs
- Pluggable display for MIBRIX series
- User Configurable
- 4 Digit 7SEG display
- 6 LEDs for Indication
- Size: 35mm x 45mm

## SPECIFICATIONS

Display Type	4 Digit 7SEG display
Text Colour	Red
No. of Keys	3 ( 2-user configurable)
No. of LEDs	6 (Red)

## FUNCTIONAL SPECIFICATIONS (CPU)

Programming Language	Windows based user friendly SELPRO software for HMI configuration and programming.
Application	User configurable display, for use along with MIBRIX-2M PLC series.

## ENVIRONMENTAL CONDITIONS

Operating Temperature	0 to 55°C
Storage Temperature	-20 to 70°C
Humidity (non-condensing)	95%
Mounting	Pluggable connection over Din Rail Mounted MIBRIX PLC
Weight	Approx. 25 gms

## SAFETY PRECAUTIONS

This manual is meant for personnel involved in wiring installation, operation and routine maintenance of the equipment.

All safety related conditions, symbols and instructions that appear in this operating manual or on the equipment must be strictly followed to ensure operator and instrument safety. Any misuse may impair the protection provided by the equipment.

**CAUTION** : Read complete instructions prior to installation and operation of the unit. The equipment in its installed state must not come in proximity to any heating sources, caustic vapors, oils, steam or other unwanted process by products.

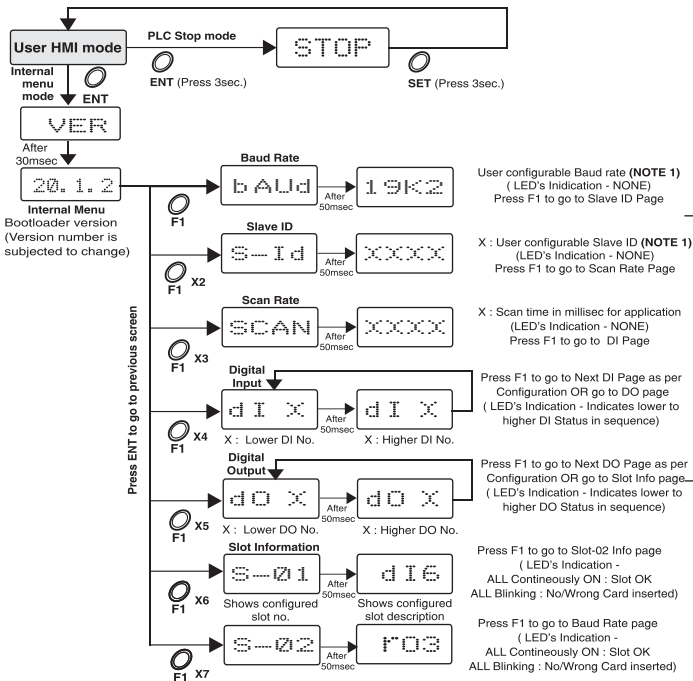
**CAUTION** : Risk of electric shock.

## INSTALLATION INSTRUCTIONS

### CAUTION

1. This equipment, being pluggable-type, normally becomes a part of the main PLC device which is used mainly in control panel and becomes accessible to the user after installation.
2. Conductors must not come in contact with the internal circuitry of the equipment else it may lead to a safety hazard that may endanger life or cause electrical shock to the operator.
3. While installation ensure power to main PLC equipment is switched OFF. In case of replacement of this equipment with any other type, programming of main PLC equipment needs to be modified accordingly.
4. The equipment shall not be installed in environmental conditions other than those specified in this manual.
5. Thermal dissipation of equipment is met through ventilation holes provided on housing of main PLC equipment. Obstruction of these ventilation holes may lead to a safety hazard.

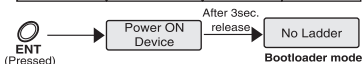
## MENU DESCRIPTION



Edit Configuration Settings: NOTE 1:

KEY	SET	F1	ENT
FUNCTION	Edit enable (Press 3 sec.)	To go to next page/ Increment	Save value

Enter Bootloader mode:



NOTE- For display nomenclature, refer MIBRX-2M-1-0-0-24V operating instruction.

## ? SERVICE DETAILS

This device contains no user serviceable parts and requires special equipment and specialized engineers for repair.

**Maintenance:** Do not use Isopropyl alcohol or any other organic solvents for cleaning.

Please contact service center for repair on the following Numbers : Tel. No. : + 91-7498077172 ;

Email : service@selec.com

(Specifications are subject to change, since development is a continuous process.)

### Selec Controls Pvt. Ltd., India

Factory Address : EL-27/1, Electronic Zone, TTC Industrial Area, MIDC, Mahape, Navi Mumbai- 400 710, INDIA.

Tel. No : +91-22-41 418 419/430 IFax No. : +91-22-28471733

Toll free : 1800 227 353 (BSNL/MTNL Subscribers only)

Website : www.selec.com | Email : sales@selec.com