



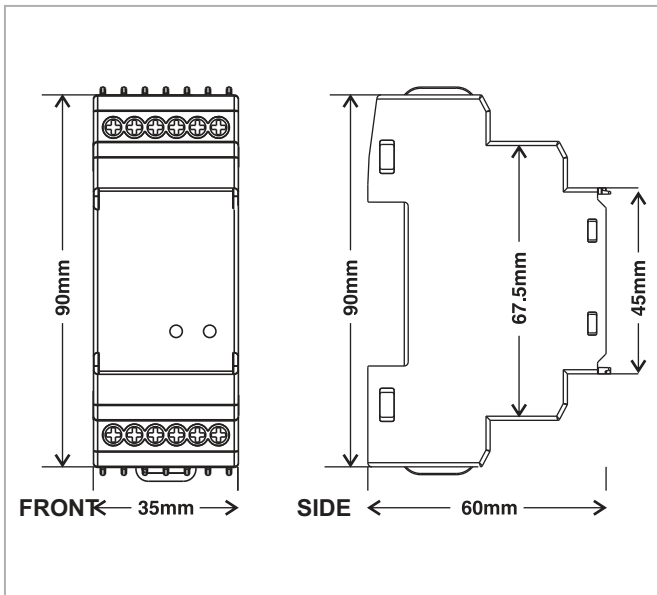
### Features :

- ▶ 3Ø - 3 Wire system
- ▶ Monitors phase loss, Phase asymmetry, Over voltage & Under voltage
- ▶ LED Indication for power ON & trip
- ▶ DIN Rail mount
- ▶ DPDT Relay output

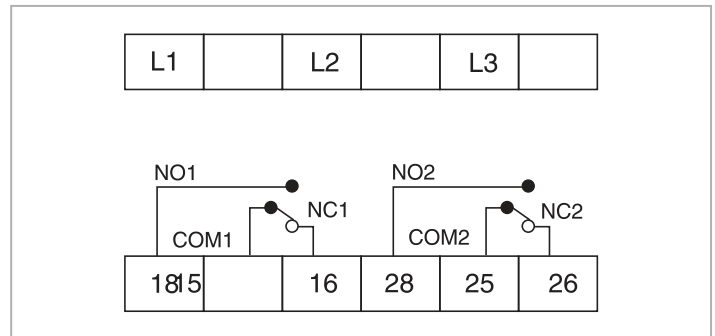
## Technical specifications

| Functional specification     |  |       |              |
|------------------------------|--|-------|--------------|
| Phase imbalance              | 30V(Fixed)   |       |              |
| Hysteresis                   | 6V   |       |              |
| Voltage accuracy             | ±1% of Full scale  |       |              |
| Time accuracy                | ±5% ±100ms   |       |              |
| Power ON delay               | 3s (Fixed)   |       |              |
| Trip setting                 |  |       |              |
| Phase loss                   |  |       |              |
| Phase asymmetry              | 30V (Fixed)  |       |              |
| Over voltage trip            | 10% Of Nominal voltage   |       |              |
| Under voltage trip           | 15 % Of Nominal voltage  |       |              |
| Trip & Recovery time delay   |  |       |              |
| Trip & Recovery time delay   | <120ms for Phase loss, Phase asymmetry, <200ms for Over voltage, Under voltage |       |              |
| <b>Reset condition</b>       | After removal of fault condition reset automatically after hysteresis of 6V.   |       |              |
| Output specifications        |  |       |              |
| Output contacts              | DPDT (2C/O)  |       |              |
| Contact rating               | 5A@250VAC res.   |       |              |
| Supply voltage               |  |       |              |
| Nominal input voltage        | 415V AC (Phase to phase)   |       |              |
| Power consumption            | 50VA max   |       |              |
| Operating voltage            | 280 to 520V AC (L-L)   |       |              |
| Environmental specifications |  |       |              |
| Operating temperature        | 0 to 55°C  |       |              |
| Storage temperature          | -20 to +70°C   |       |              |
| Humidity (Non - condensing)  | Up to 95% RH   |       |              |
| Weight                       | 100gms   |       |              |
| Protection level             | IP30 For housing, IP20 Terminals   |       |              |
| LED Indication chart         |  |       |              |
| Various condition            | ON LED   | R LED | Relay        |
| Nominal condition            | ON   | OFF   | Energised    |
| Fault conditon               | ON   | ON    | De-Energised |
| Phase reverse                | ON   | ON    | De-Energised |

## Dimensions (All are in mm)



## Terminal Connection



## Ordering information

| Product code | Supply voltage                | Certification |
|--------------|-------------------------------|---------------|
| SPPA2M       | 280-520V AC(L-L),<br>45-65 Hz | -             |

## Timing Diagram

