




DIN 35mm

Features :

- ▶ 1Ø - 2 Wire, 3Ø - 4 Wire input
- ▶ Monitors under voltage, Over voltage, Phase asymmetry, Phase failure & Phase sequence
- ▶ True RMS Measurement
- ▶ Adjustable switching hysteresis
- ▶ One relay with two change over
- ▶ DIN Rail mount

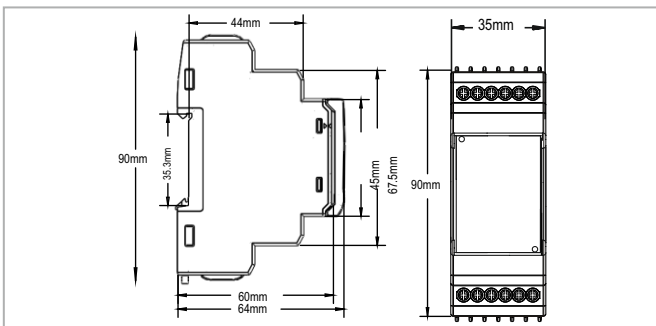
Certifications : 

Technical specifications

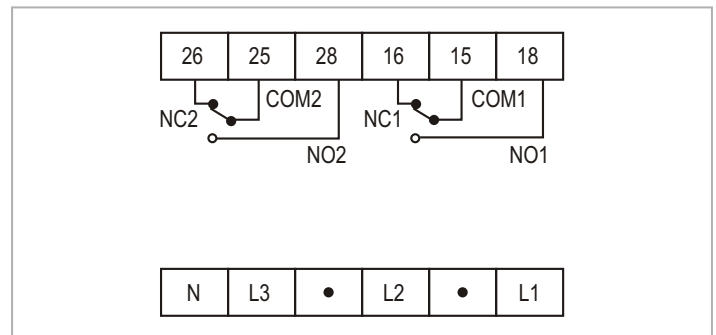
Display specifications	
Type	Digital
Display	Liquid crystal display
No. of LED	2
No. of push button	3
LED Indication chart	
Condition	'R' LED
Nominal condition	OFF
Fault condition	ON
Input specifications	
Functions	
Measurements	Under voltage, Over voltage, Phase asymmetry, Phase failure and Phase sequence
Time settings	Power ON delay, Trip time delay, Recovery time delay
Alarm indications	Trip
Latching	Selectable
Reset	Auto / Manual
Electrical connections	1Ø - 2wire, 3Ø - 4wire
Trip settings	
Under voltage	127 to 219V AC (L - N)
Over voltage	242 to 288V AC (L - N)
Phase sequence	Yes
Phase failure	Yes
Phase asymmetry	5 - 30%
Trip time settings	
Power ON delay	0.5 - 300sec
Trip time delay	0 - 300sec
Recovery time delay	0 - 300sec (In auto reset mode)
Response time	<150ms
Hysteresis	
Voltage	1.0 - 99.9V for voltage
Asymmetry	2 - 20% (Only for 3Ø - 4wire)
Resolution	
Voltage	1V

Time setting	
0 - 10sec	0.1sec
10 - 99sec	1sec
100 - 300sec	10sec
Accuracy	
Voltage	±1% ±2 digits
Time setting accuracy	±5% of setting ±150ms
Output specifications	
No. of relays	1
Type of output	2 C/O (DPDT)
Contact rating	NO, NC : 5A@250V
Auxiliary supply specifications	
Supply voltage	Self Powered
Nominal input voltage, Un	230V AC (L - N)
Operating voltage	127 to 288V AC (L - N)
VA Rating	5VA max
Frequency	5VA max
Environmental specifications	
Operating temperature	0 to 55°C (32 to 122°F)
Storage temperature	-20 to +75°C (-4 to 167°F)
Humidity (Non - Condensing)	Up to 95% RH
Pollution degree	For PCB 2, For Product 3
Mechanical specifications	
Mounting	DIN Rail mount
Weight	112gms
Screw tightening torque	0.5 NM

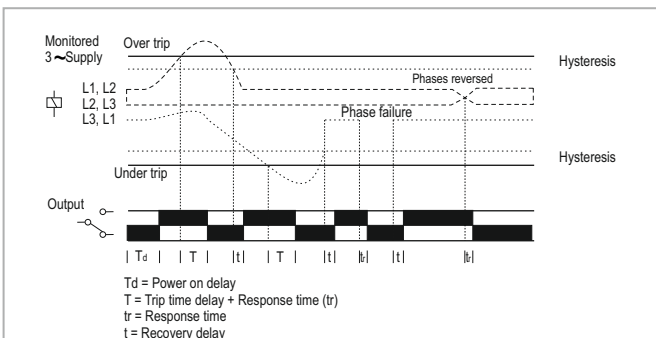
Dimensions (All are in mm)



Terminal Connection



Timing Diagram



Ordering information

Product code	Supply voltage	Certification
VPRD2M	127 to 288V AC	-