



DIN 35mm

### Features:

- ▶ 6 digits for time display, 2 digits for step No.
- ▶ 50 ON-OFF steps per day
- ▶ Indications
  - Auto manual
  - Holiday
  - Relay status
  - Day of week
  - Programming mode
- ▶ 10 Years power reserve (lithium battery)

Certifications: 

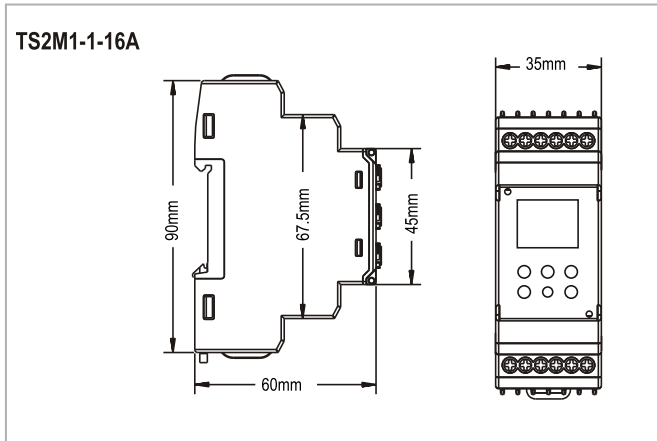
## Technical specifications

Display specifications	
Display	Text LCD (without back light) 6 digits for time display, 2 digits for step no.
Character height	5.07mm (HH : MM) and 3.39mm (SS)
Indications (through symbol)	Auto manual, Holiday, Relay status, Day of week, Programming mode
Output specifications	
No. of output	1
Relay contact	1 C/O SPDT
Contact rating	16A @250V AC
Functional specifications	
Operation period	1 week
Weekly program	Total 50 ON steps and 50 OFF steps
	2 Programs x 25 steps
	3 Programs x 16 steps
	4 Programs x 12 steps
	5 Programs x 10 steps
	6 Programs x 08 steps
	7 Programs x 07 steps
	8 Programs x 06 steps
Minimum setting unit	1 second
Minimum setting unit	16 dates
Clock	12-hr (AM/PM) and 24-hr selection
Relay operating mode	Auto/Permanent override ON/Permanent override OFF
RTC accuracy	15 min a year @25 °C
Auxiliary supply specifications	
Supply voltage	230V AC ±10%
Power consumption	Approx. 9 watts at 252V AC
Environmental Specifications	
Temperature	Operating: 0 to 50 °C storage: -20 to 70 °C
Humidity (non-condensing)	Upto 95% RH

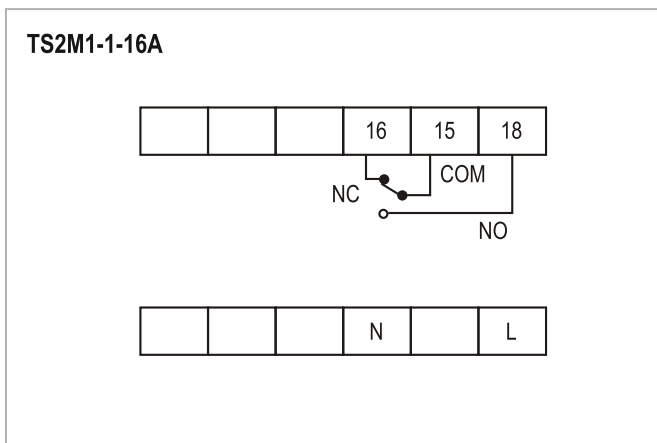
## Mechanical specifications

Mounting	DIN rail mount
Weight	105 gms

## Dimensions (all are in mm)



## Terminal connection



## Compliance

Applicable EMI / EMC standards		
Product standard : IEC 60947-2		
Category	Reference standards	Testing level
Electrostatic discharge	IEC 61000-4-2	Level-3
Electrical fast transient / Brust	IEC 61000-4-4	Level-3
Electromagnetic field	IEC 61000-4-3	Level-3
Surge	IEC 61000-4-5	Level-3
Conducted RF	IEC 61000-4-6	Level-2
Rated power frequency	IEC 61000-4-8	Level-4
Voltage dip / Short interruptions	IEC 61000-4-11	Level-3
Conducted emissions	CISPR-11	Class-B
Radiated emission	CISPR-22	Class-A
Emission & Immunity	IEC 61010-1	
Safety	IEC 61010-1	
PFMF (passing criteria)	IEC 61000-4-8	Class A

## Ordering information

Product code	Supply voltage	Certification
TS2M1-1-16A-230V-V2	230V AC	CE