



36 x 72mm

Features :

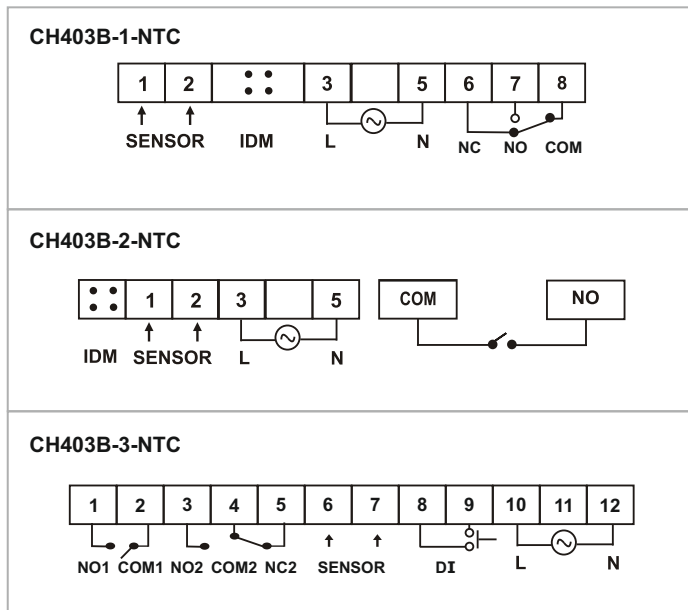
- ▶ 2½ Digits, 7 Segment LED single white display
- ▶ Capacitive touch keypad
- ▶ LED status indicator: Set point lock, Defrost, Relay ON, Alarm ON
- ▶ °C/°F selectable
- ▶ Defrost management
- ▶ High & low temperature alarm, door alarm, sensor break alarm
- ▶ Door open alarm delay
- ▶ IDM (optional)
- ▶ Cyclic timer (optional)

Certifications: **IP65**

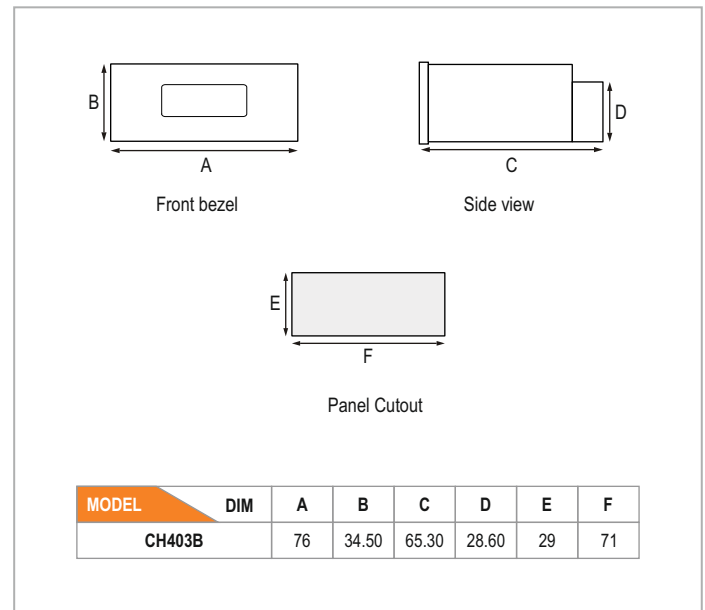
Technical specifications

Display specifications	
Display	2½ Digits 7 Segment LED single display
LED indication	Set point lock, Defrost, Relay ON, Alarm
Input specifications	
Inputs	NTC
Resolution	0 / 0.1°
Set point	1
Indication accuracy	±1°
Output specifications	
CH403B-1-NTC	Main Output: NO:10A 250 VAC/ 24 VDC NO/ NC: 5A/ 5A 250 VAC/ 24V DC
CH403B-2-NTC	Main output: SPST, 20A @ 250 VAC/ 30 VDC
CH403B-3-NTC	Main Output: SPST, 20A @ 250 VAC/ 30 VDC Alarm Output: NO/ NC: 5A/ 3A 277 VAC/ 30 VDC
Functional specifications	
Control action	ON-OFF
Hysteresis	0.1 to 99.9°
Alarm modes	High alarm, Low alarm, Door open alarm
Display offset adjustment	- 19.9 to 19.9°C
Reset time delay	Programmable from 00 to 19.9 min
Relay action	Heat & cool mode
Defrost time	Programmable from 00 to 99 min
Defrost frequency	Programmable from 00 to 99 (Hr / min / sec)
NTC sensor specifications	
Sensor type	NTC probe
Thermistor range	- 40 to 100°C
Nominal resistance	10KΩ @ 25°C
Auxiliary supply specifications	
Supply voltage	230 VAC @ 50/ 60Hz
Power consumption	3 VA maximum
Environment specifications	
Temperature	Operating: 0°C to 60°C ; Storage: -20°C to 75°C
Humidity (non - condensing)	95% RH
Mechanical specifications	
Mounting	Panel
Weight	CH403B-1-NTC: 150 gms CH403B-2-NTC: 150 gms CH403B-3-NTC: 185 gms

Terminal connections



Dimensions (All are in mm)



Sensor provided with product

NTC Sensor	TSP04
------------	-------

Probe



Model	Sensor type	Temperature range (°C)	Nominal Resistance
TSP04	NTC probe	-40 to +100	10KΩ @ 25°C

Ordering information

Product code	Output		Supply voltage	Certification
	Control Output	Alarm Output		
CH403B-1-NTC	RELAY (10A)	---	90 to 270 VAC/ DC	---
CH403B-2-NTC	RELAY (20A LUG Type)	---	90 to 270 VAC/ DC	---
CH403B-3-NTC	RELAY (20A)	RELAY (5A)	90 to 270 VAC/ DC	---