



Features :

- ▶ Earth fault monitoring in 1Ø and 3Ø systems
- ▶ True RMS value measurement (AC)
- ▶ User selectable power ON delay, Trip time delay & Recovery delay
- ▶ 6 Selectable IDMT characteristics curve
- ▶ Adjustable switching hysteresis
- ▶ Last trip memory (last 5 trips stored & can be recalled)
- ▶ Adjustable time multiplier
- ▶ Feasible to work with regular CTs
- ▶ Pre-alarm indication selectable
- ▶ Test & Reset via Front / Remote

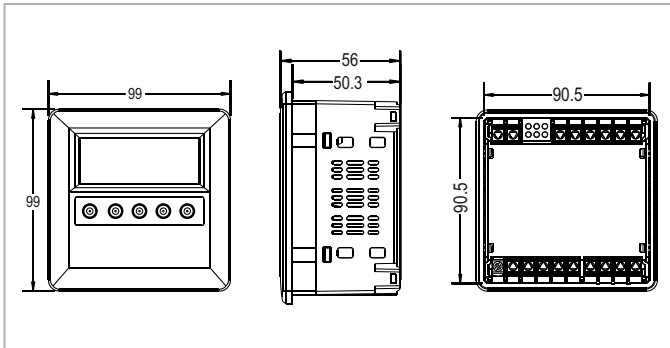
Certifications : 

Technical specifications

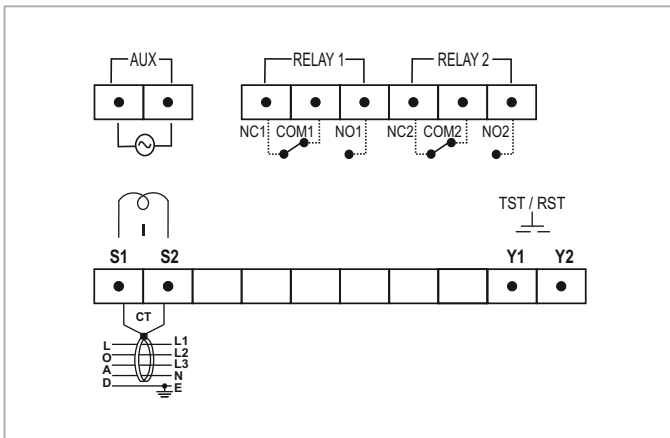
Display specifications			
Type	Digital		
Display	LED display		
No of keys	3		
No. of push button	3		
LED Indication chart			
Condition	Relay 1	Relay 2	'R2' LED
Healthy	OFF	OFF	OFF
Alarm	OFF	Blink	OFF
Trip	ON	Blink*/ON	OFF
10x Trip	ON	Blink*/ON	ON
Input specifications			
Functions			
CT primary range	1A to 999A		
CT Secondary range	1A & 5A		
Measurements	Earth fault monitoring		
Time settings	Power ON delay, Trip time delay, Recovery time delay		
Alarm indications	Trip		
Latching	Selectable		
Reset	Press RST key for 3 sec reset through terminal (Y1 & Y2 short)		
Electrical connections	1Ø - 2 wire, 3Ø - 3 wire, 3Ø - 4 wire		
IDMT curve	6 selectable curves		
Trip time settings			
Power ON delay	0.5 - 999.9 sec		
Trip time delay	0.5 - 99.9 sec		
Recovery time delay	0.5 - 99.9 sec		
Response time	< 100ms		
Hysteresis	5 to 40% {For eg., if set HYS is 10% & SV is 100mA; unit will allow untrip at 90mA}		

Accuracy	
Current accuracy	±5% of set value
Delay time accuracy	±5% of setting ±100ms
Output specifications	
No. of relays	2
Type of output (Relay 1)	1 C/O SPDT
Type of output (Relay 2)	1 C/O SPDT
Relay rating	NO / 5A @250V AC / 28V DC NC / 5A @250V AC / 28V DC
Auxiliary supply specifications	
Supply voltage (Factory set)	85 to 270V AC
Frequency	50-60Hz
Environmental specifications	
Temperature	Operating temperature: 0° to +60° Storage temperature: -20° to +70°
Humidity (non-condensing)	Upto 95% RH, Non-condensing
Pollution degree	II
Degree of protection devices	IP20
Mechanical specifications	
Mounting	Panel mount
Weight	290 gm approx
Screw tightening torque	0.5 N-M
Wire size (Max)	4 sq.mm

Dimensions (All are in mm)



Terminal connections



Compliance

Applicable EMI / EMC Standards		
Product standard : IEC 60947-2		
Category	Reference standards	Testing level
Electrostatic discharge	IEC 61000-4-2	Level-3
Electrical fast transient / Burst	IEC 61000-4-4	Level-3
Electromagnetic field	IEC 61000-4-3	Level-3
Surge	IEC 61000-4-5	Level-3
Conducted RF	IEC 61000-4-6	Level-2
Rated power frequency	IEC 61000-4-8	Level-4
Voltage dip / Short interruptions	IEC 61000-4-11	Level-3
Conducted emissions	CISPR-11	Class-B
Radiated emission	CISPR-11	Class-A
Emission & Immunity	IEC 61326-1	
Safety	IEC 61010-1	

Ordering information

Product code	Supply voltage	Certification
EFR-341-2-CE	85 to 270V AC	CE