



Features :

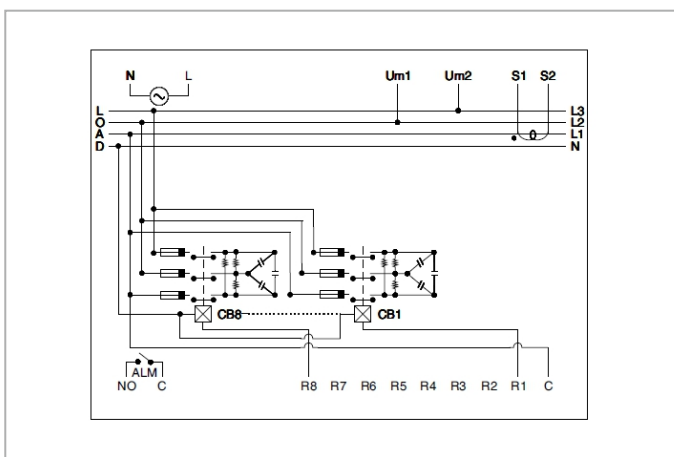
- ▶ 1-CT Sensing
- ▶ Zero Programming
- ▶ Single row, 4 digits LED display
- ▶ 8 Relay stages
- ▶ Intelligent Algorithm System
- ▶ Supports Automatic Capacitor Banks switching
- ▶ Alarm Indications

Certifications :  

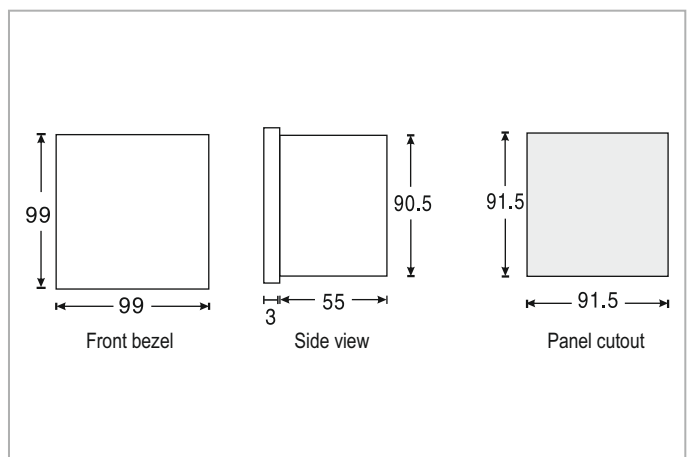
Technical specifications

Display specifications	
Type	LCD with backlight
Digits	4 digit to show electrical parameter
Operational characteristics	
Rated input voltage	50 to 520V AC
Rated input current range	Nominal 5AAC (Min 50mA , Max 6A) 1 CT sensing
Frequency	45 - 65 Hz
Electrical connection	2Ø - 2 wire (voltage - L2,L3, Current L1)
Power consumption	7VA Max
Controlling range	Target PF : -0.800 to +0.800
Switching program	Automatic
Max number of steps	1 to 8
Output specifications	
Output Contacts	NO, One Common point
Steps:	1 to 8
Relay contact	5A @250V AC (Max)
Environmental specifications	
Temperature	Operating : 0°C to 60°C Storage : -20°C to 60°C
Humidity (non - condensing)	0% to 95% without moisture consideration
Mechanical specifications	
Mounting	Panel
Weight	263gms

Terminal connections



Dimensions (All are in mm)



Standards Compliance

Applicable EMI / EMC standards		
Product standards : IEC 61326-1		
Category	Standards	Standards compliance
ESD immunity	IEC 61000-4-2	Level III (Air discharge : 8kV), Level II (Contact Discharge : 4kV)
Surge immunity	IEC 61000-4-5	2kV common mode, (Line to ground) 1kV common mode, (Line to line)
Radiated susceptibility	IEC 61000-4-3	Level III, 80 to 1000MHz (10V/m) Level II, 1.4GHz to 2GHz (3V/m) Level I, 2GHz to 2.7GHz (1V/m)
Conducted susceptibility	IEC 61000-4-6	Level II (150KHz to 80MHz) (3V/m)
Voltage dips and interruptions	IEC 61000-4-11	Dips : 0% during 1 cycle (Criteria B), 40% during 10/12 cycles (Criteria C), 70% during 25/30 cycles (Criteria C) Interruptions : 0% during 250/300 cycles (Criteria C)
Conducted emission	CISPR 11	Group 1, Class A (150kHz to 30 MHz)
Radiated emission	CISPR-11	Group 1, Class A (30MHz to 1 GHz)
Electrical fast transient	IEC 61000-4-4	Level III (2kV)
Power frequency magnetic field	IEC 61000-4-8	Level IV 30 A/m

Ordering information

Product code	Supply voltage	No. of stages	Certification
APFC346-108-230V-CE	85 - 270V AC, 50 - 60Hz	8	CE